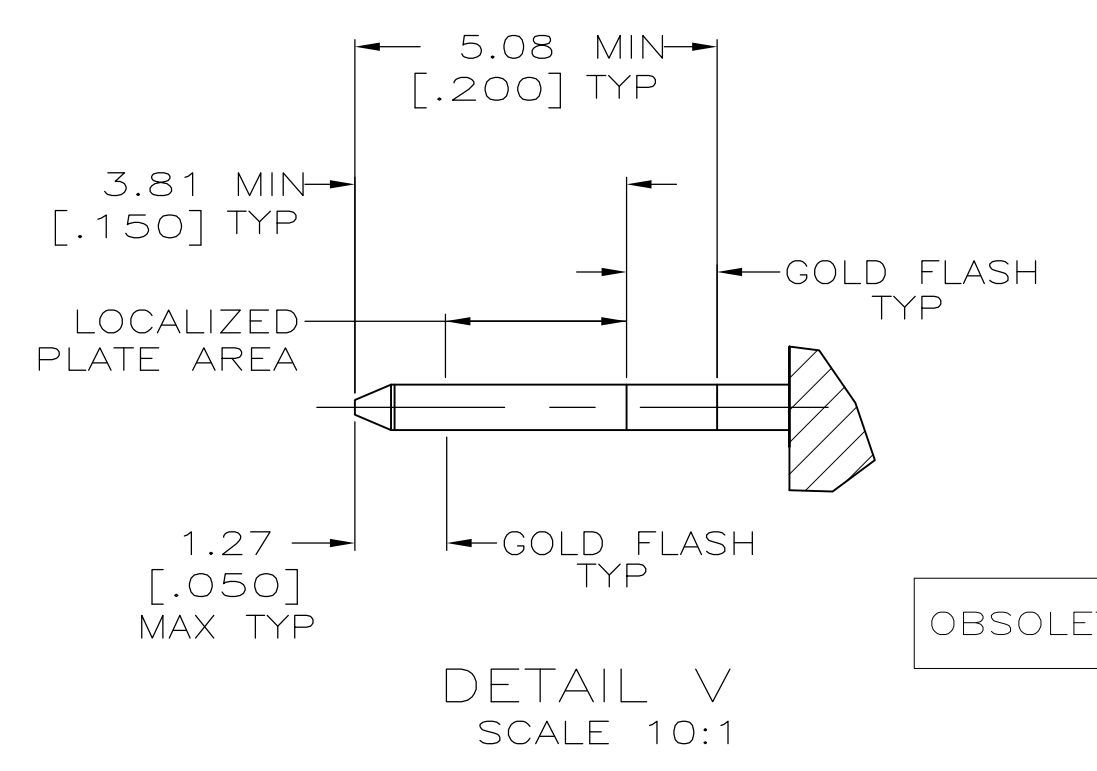
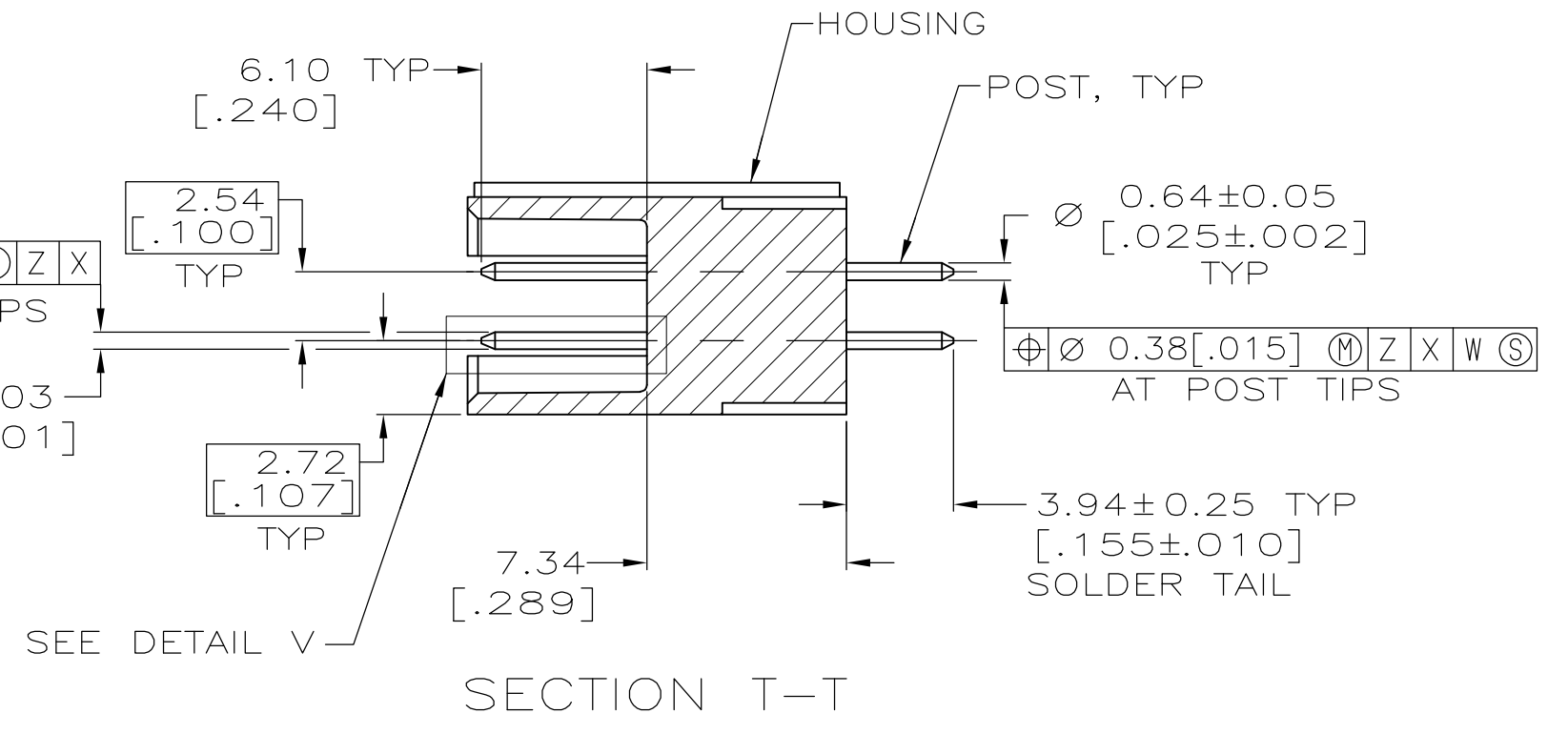
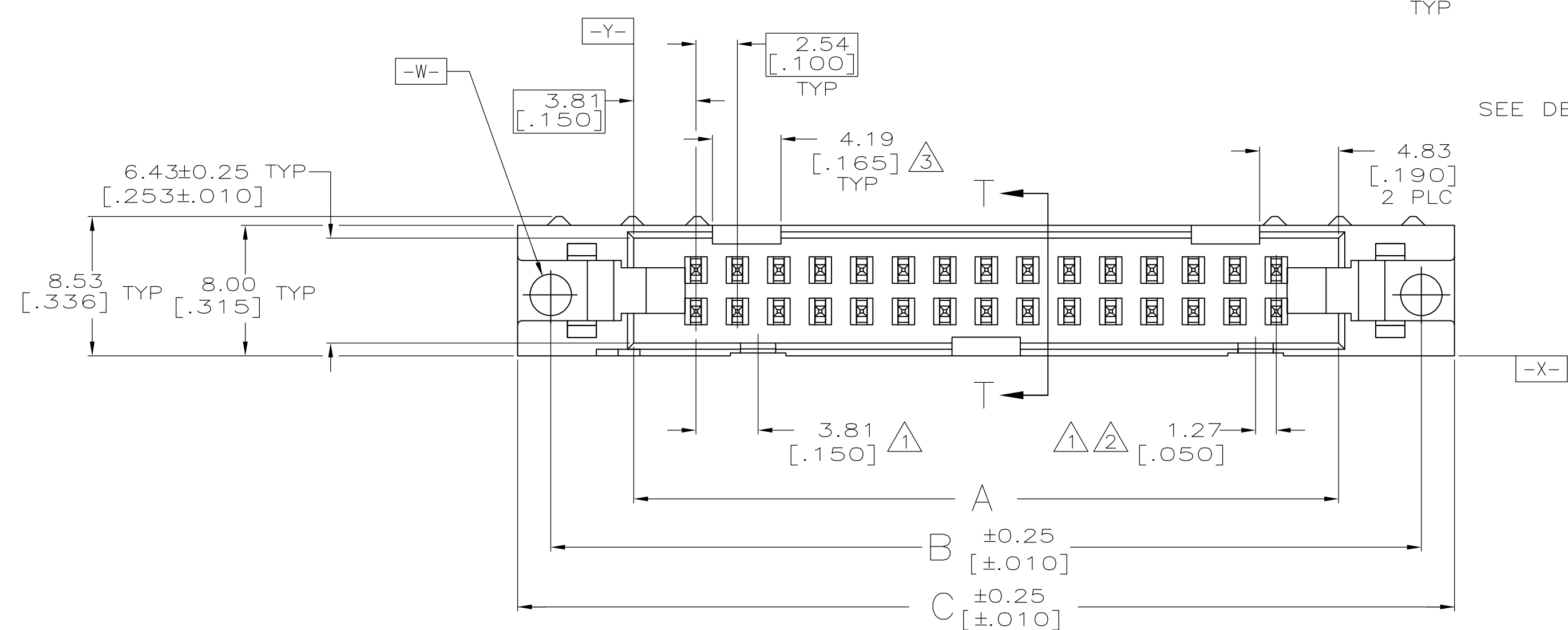
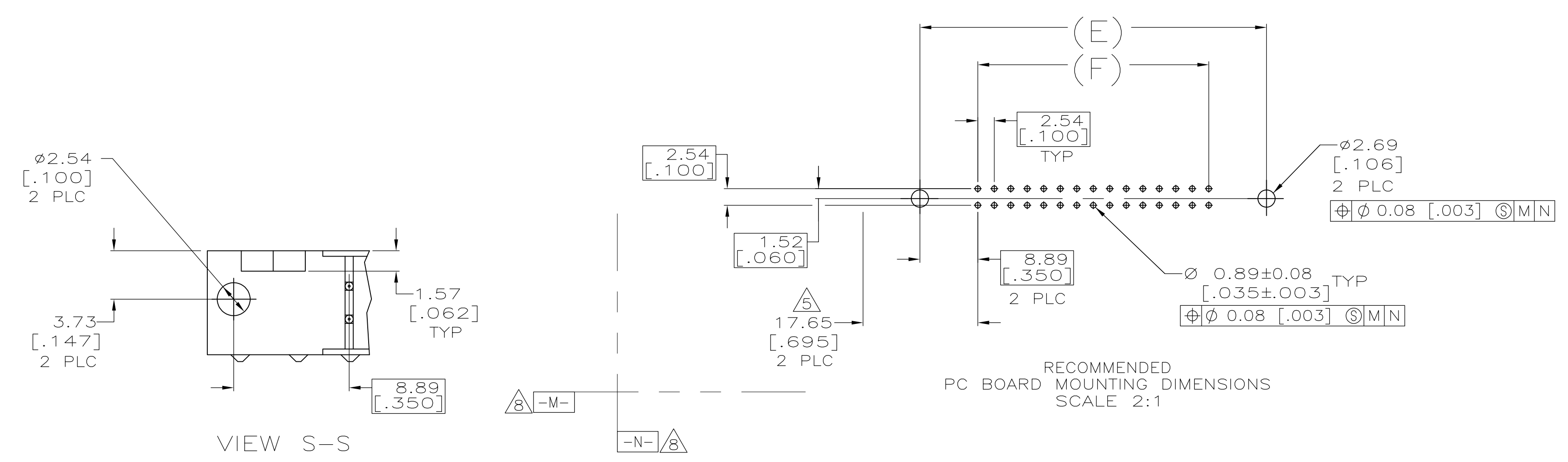
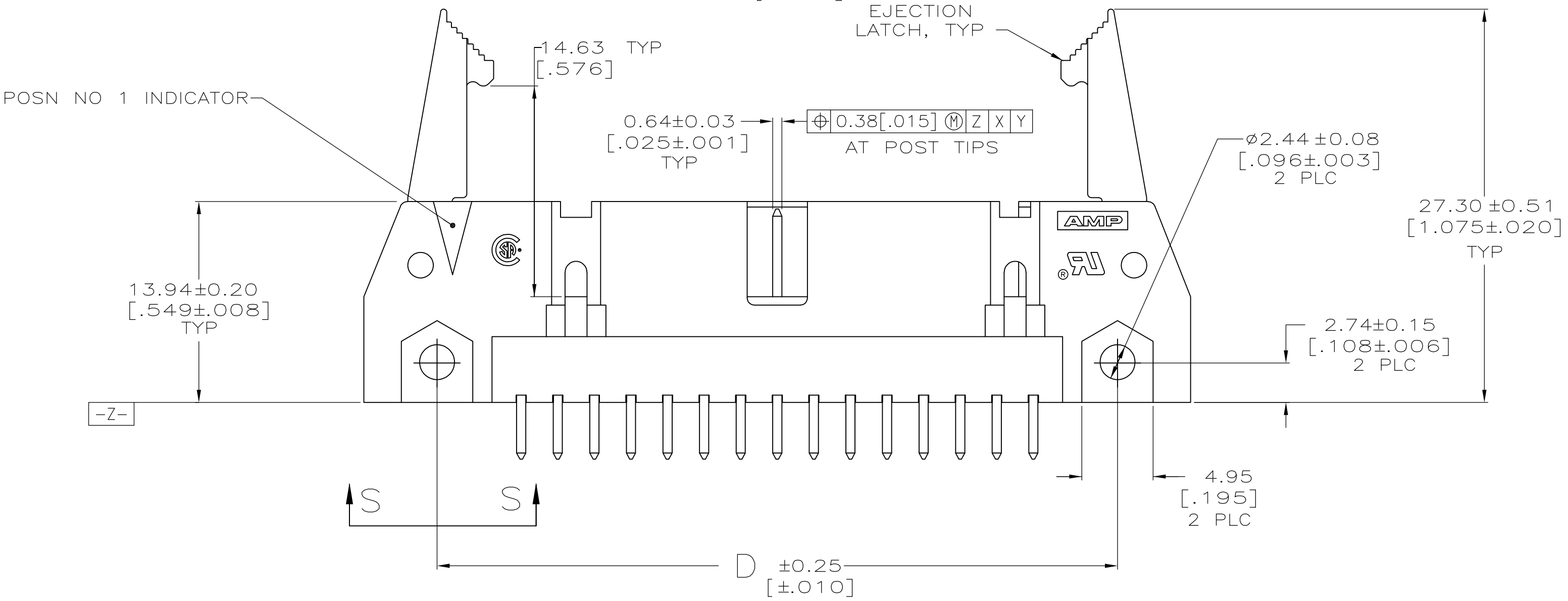


EJECTION LATCHES OMITTED IN THIS VIEW FOR CLARITY



- 1 COORDINATE DIMENSION APPLIES FROM BASIC LOCATION.
- 2 10 AND 14 POSITION SIZES CONTAIN ONLY ONE SLOT FOR SNAP-IN POLARIZER (MILITARY POLARIZATION) LOCATED AS SHOWN.
- 3 10 POSITION SIZE CONTAINS ONLY ONE SLOT FOR DUAL POLARIZATION, LOCATED AS SHOWN.
- 4. RECOMMENDED PRINTED CIRCUIT BOARD THICKNESS IS 3.18[.125].
- 5 DISTANCE REQUIRED BY EJECTION LATCHES IN THE OPEN POSITION.
- 6 HOUSING & LATCHES: GLASS FILLED NYLON OR POLYESTER, UL94V-0 RATED, COLOR: SEE TABLE. POSTS: PH BRZ OR BRASS
- 7 POSTS: GOLD FLASH OVER PALLADIUM-NICKEL PLATE, 0.76µm[.000030] MIN TOTAL ON THE LOCALIZED PLATE AREA, 2.54µm[.000100] MIN TIN PLATE ON THE SOLDER-TAIL, 1.27µm[.000050] MIN NICKEL UNDERPLATE ON THE ENTIRE POST.
-OR-
0.76µm[.000030] MIN GOLD PLATE ON THE LOCALIZED PLATE AREA, 2.54µm[.000100] MIN TIN PLATE ON THE SOLDER-TAIL, 1.27µm[.000050] MIN NICKEL UNDERPLATE ON THE ENTIRE POST.
- 8 DATUMS -M- & -N- TO BE ESTABLISHED BY CUSTOMER.

	BLUE	71.12	65.02	75.18	71.12	60.96		
	53.34	[2.800]	[2.560]	[2.960]	[2.800]	[2.400]	44	3-5102321-3
OBSOLETE	78.74	[3.100]	[3.560]	[3.960]	[3.800]	[3.400]	64	3-5102321-2
	73.66	[2.900]	[3.360]	[3.760]	[3.600]	[3.200]	60	3-5102321-1
	60.96	[2.400]	[2.860]	[3.260]	[3.100]	[2.700]	50	3-5102321-0
OBSOLETE	48.26	[1.900]	[2.360]	[2.760]	[2.600]	[2.200]	40	2-5102321-9
OBSOLETE	40.64	[1.600]	[2.060]	[2.460]	[2.300]	[1.900]	34	2-5102321-8
	35.56	[1.400]	[1.860]	[2.260]	[2.100]	[1.700]	30	2-5102321-7
	30.48	[1.200]	[1.660]	[2.060]	[1.900]	[1.500]	26	2-5102321-6
	22.86	[0.900]	[1.360]	[1.760]	[1.600]	[1.200]	20	2-5102321-4
	17.78	[0.700]	[1.160]	[1.560]	[1.400]	[1.000]	16	2-5102321-3
	15.24	[0.600]	[1.060]	[1.460]	[1.300]	[0.900]	14	2-5102321-2
	10.16	[0.400]	[0.860]	[1.260]	[1.100]	[0.700]	10	2-5102321-1
	78.74	[3.100]	[3.560]	[3.960]	[3.800]	[3.400]	64	1-5102321-2
	73.66	[2.900]	[3.360]	[3.760]	[3.600]	[3.200]	60	1-5102321-1
	60.96	[2.400]	[2.860]	[3.260]	[3.100]	[2.700]	50	1-5102321-0
	48.26	[1.900]	[2.360]	[2.760]	[2.600]	[2.200]	40	5102321-9
	40.64	[1.600]	[2.060]	[2.460]	[2.300]	[1.900]	34	5102321-8
	35.56	[1.400]	[1.860]	[2.260]	[2.100]	[1.700]	30	5102321-7
	30.48	[1.200]	[1.660]	[2.060]	[1.900]	[1.500]	26	5102321-6
	27.94	[1.100]	[1.560]	[1.960]	[1.800]	[1.400]	24	5102321-5
	22.86	[0.900]	[1.360]	[1.760]	[1.600]	[1.200]	20	5102321-4
	17.78	[0.700]	[1.160]	[1.560]	[1.400]	[1.000]	16	5102321-3
	15.24	[0.600]	[1.060]	[1.460]	[1.300]	[0.900]	14	5102321-2
	10.16	[0.400]	[0.860]	[1.260]	[1.100]	[0.700]	10	5102321-1
COLOR	F	E	D	C	B	A	NO OF POSN	PART NUMBER



THIS DRAWING IS A CONTROLLED DOCUMENT.

DIMENSIONS:	TOLERANCES UNLESS OTHERWISE SPECIFIED:	DWN: G. ATTADIA - DOCK5	01-07-05	STE		TE Connectivity
0 PLC ±	±	CHK: S. BOLASH	01-07-05	M. WALMSLEY		NAME
1 PLC ±	±	APVD: M. WALMSLEY	01-07-05	PRODUCT SPEC		108-40018
2 PLC ±	± 0.15[0.005]	APPLICATION SPEC		SIZE		CAGE CODE
3 PLC ±	±	MATERIAL		DRAWING NO		RESTRICTED TO
4 PLC ±	±	FINISH		WEIGHT		
ANGLES ±	±	CUSTOMER DRAWING		SCALE		4:1
		SHEET		1 OF 1		REV E1